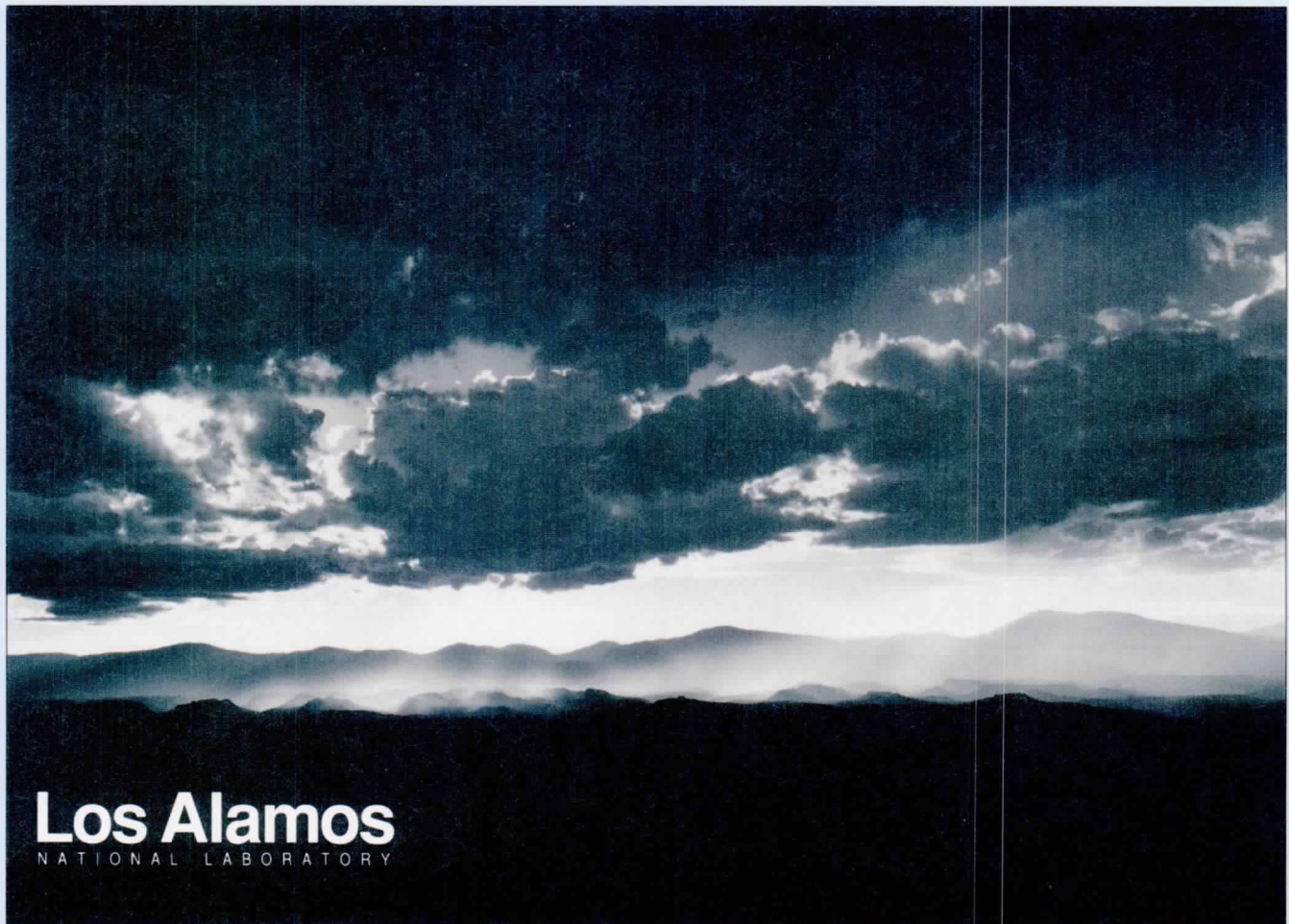


QUALITY ASSURANCE PROGRAM IMPLEMENTATION AT LOS ALAMOS

How we got here and what we learned along the way

Presentation to the Nuclear Waste Technical Review Board
November 1-2, 1990



QUALITY ASSURANCE PROGRAM IMPLEMENTATION AT LOS ALAMOS

**How we got here and
what we learned along the way**

**Richard J. Herbst
Los Alamos National Laboratory**

QA Program Implementation at Los Alamos

Requirements

Mission

Tools to accomplish mission

- **organization**
- **document hierarchy**

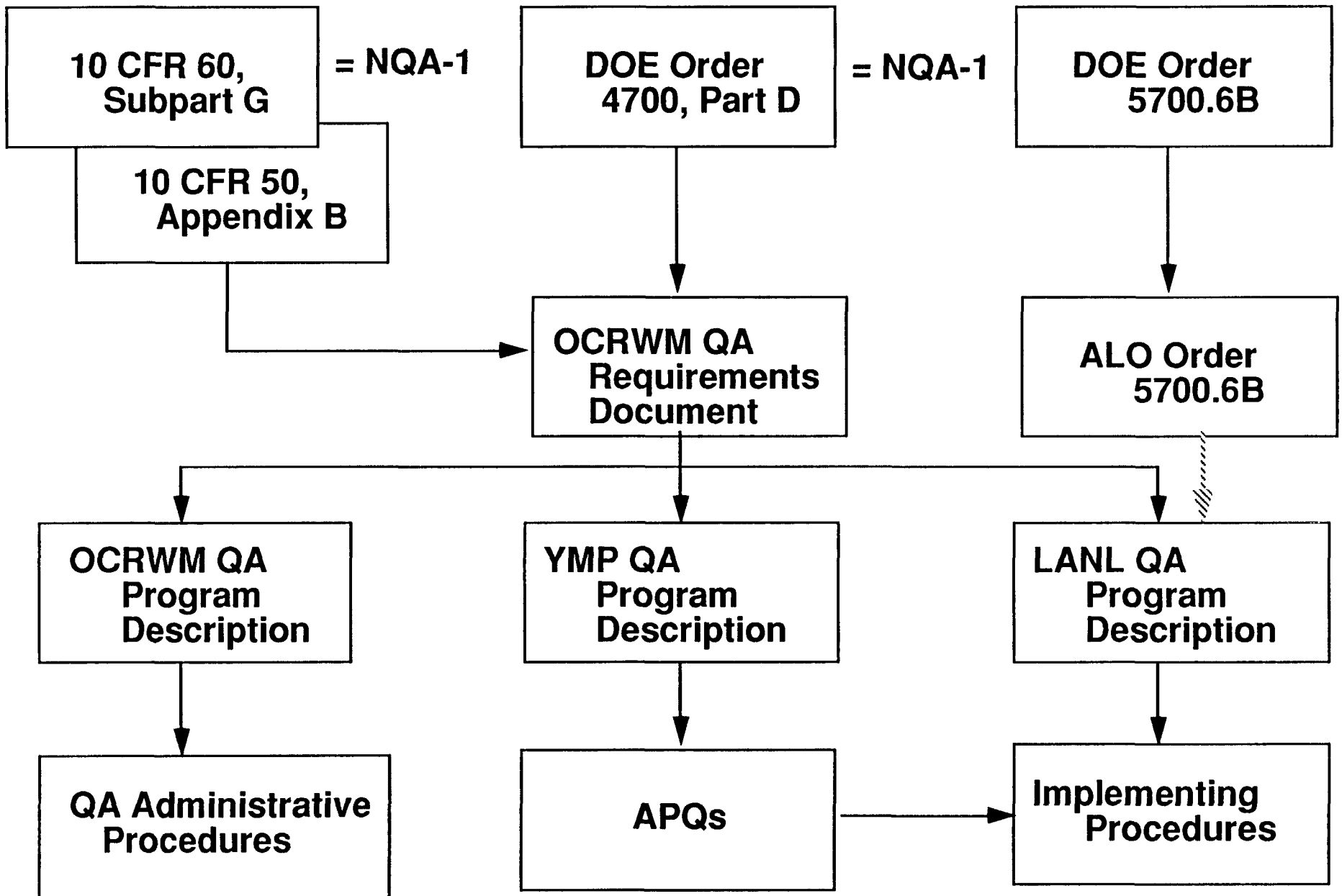
Status of program

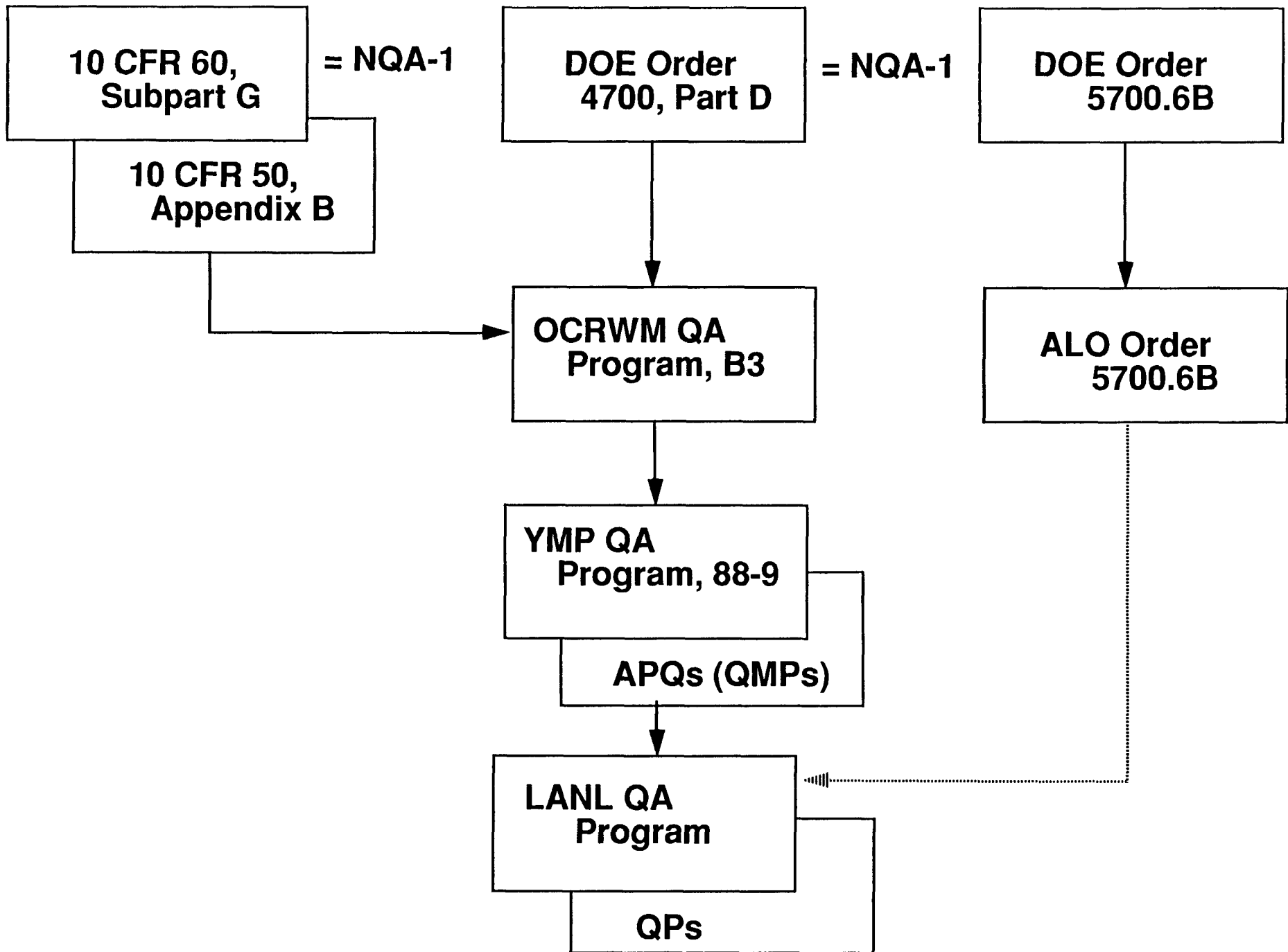
- **1987**
- **1990**

Lessons learned

Issues identified

Mission (revised)

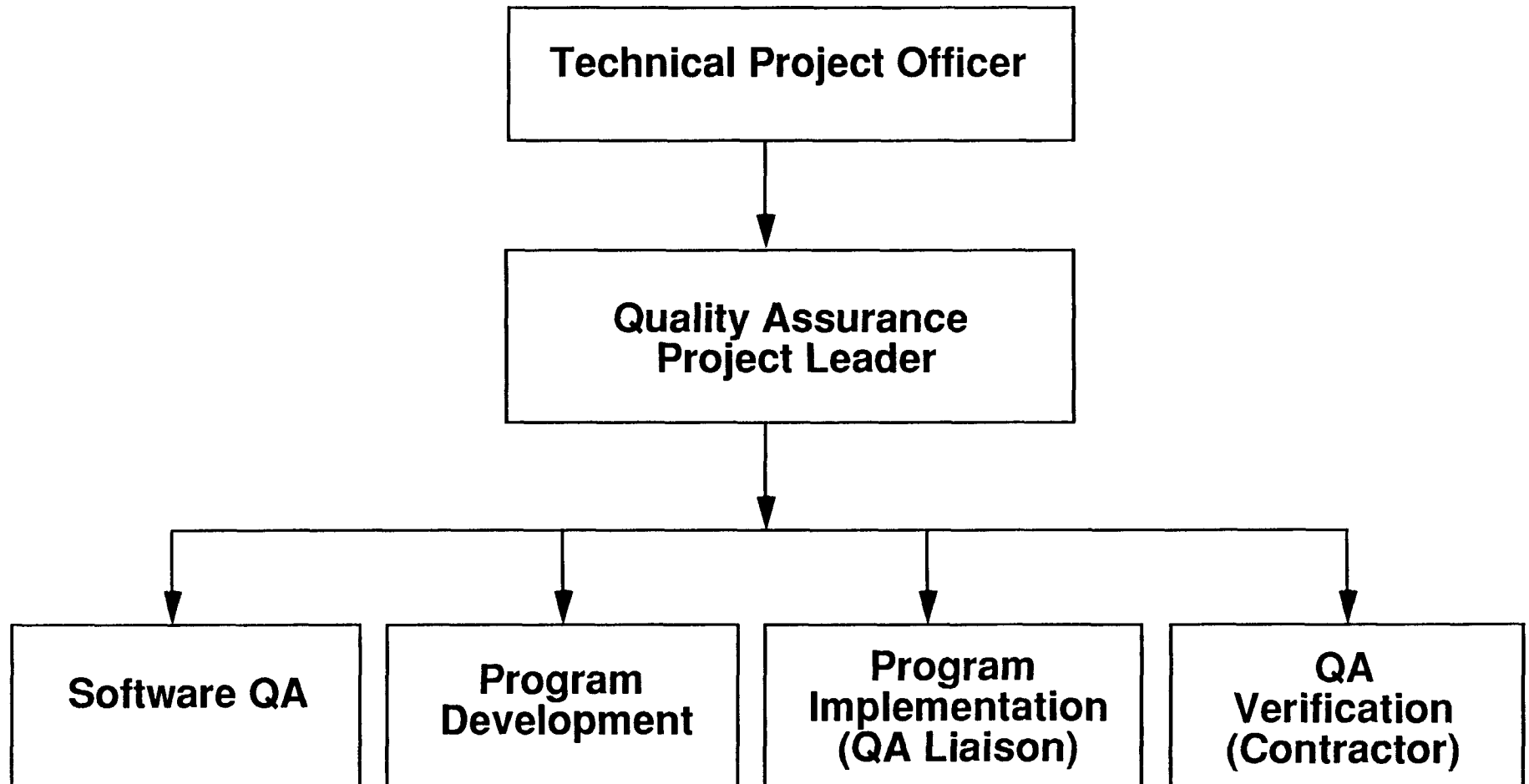


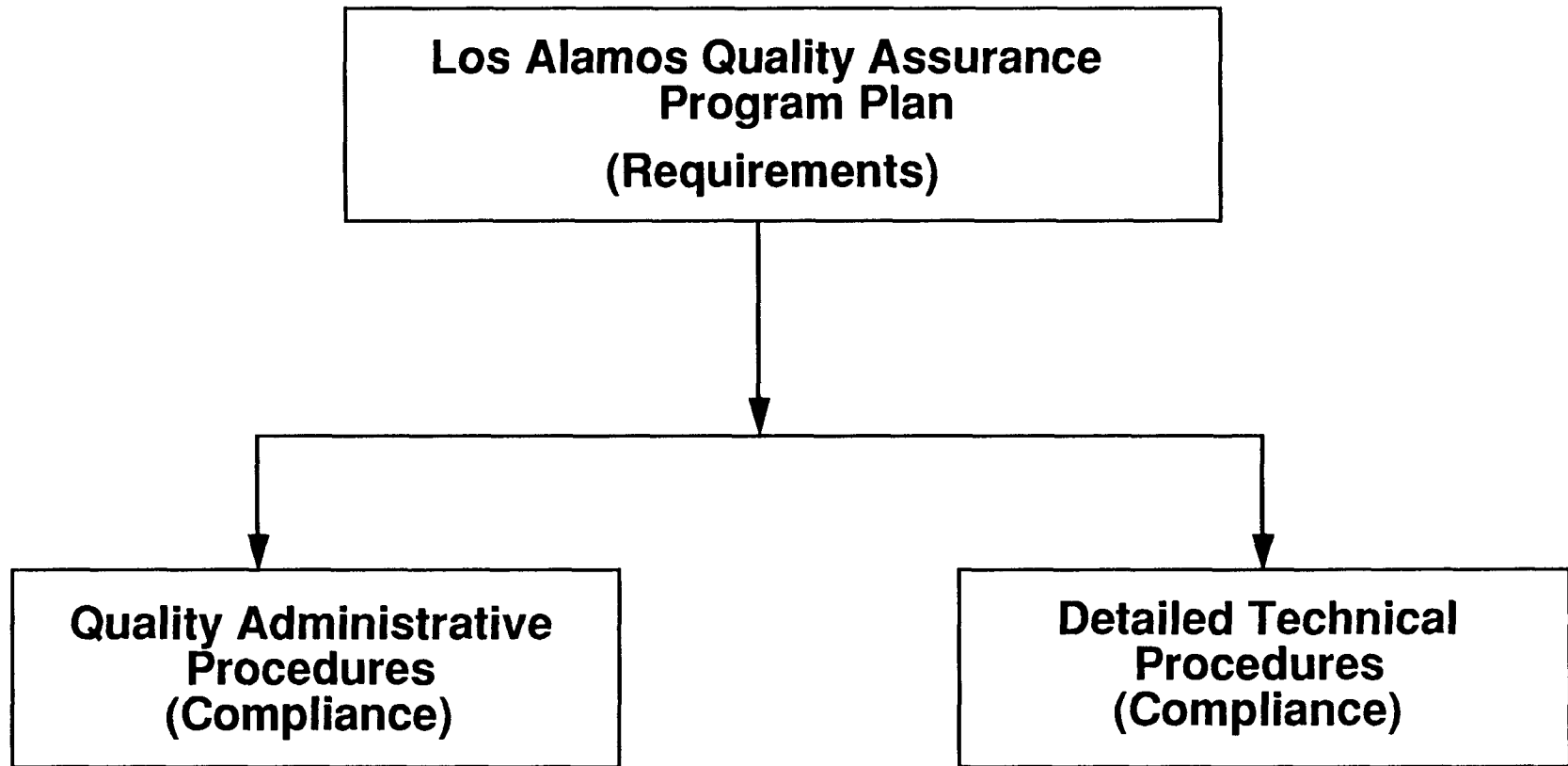


1987 QA MISSION AT LOS ALAMOS

To demonstrate that information collected in site characterization can be relied on in making licensing decisions

QA Organization





In December 1986, DOE identified work areas that, in DOE's view, met NRC's quality assurance requirements and, therefore, were ready for NRC to audit. These areas were considered by DOE to be among the best examples of compliance with NRC quality assurance requirements. From these, NRC selected the mineralogy and petrology area at Los Alamos National Laboratory for audit.

**Government Accounting Office
Report GAO/RCED-88-159
September 1988**