

**U.S. DEPARTMENT OF ENERGY
OFFICE OF CIVILIAN RADIOACTIVE WASTE MANAGEMENT**

**NUCLEAR WASTE TECHNICAL REVIEW BOARD
FULL BOARD MEETING**

SUBJECT: INTEGRATED LICENSING PLAN

PRESENTER: THOMAS M. WILLIAMSON

**PRESENTER'S TITLE
AND ORGANIZATION: Regulatory Documentation Manager
CRWMS MANAGEMENT AND OPERATING CONTRACTOR
LAS VEGAS, NEVADA**

TELEPHONE NUMBER: (702) 295-9340

**SALT LAKE CITY, UTAH
JULY 11-12, 1995**

Integrated Licensing Plan

- **Introduction**
- **Objectives**
- **Methodology**
- **Status**
- **Conclusion**

Introduction

- **Integrated Licensing Plan defines project activities needed to complete license application**
- **Builds on Program Plan, Project Summary Schedule, Licensing Strategy, and License Application Annotated Outline**
- **Establishes linkage between the waste containment and isolation strategy and the site characterization program**
- **Plans completion of specific license application subsections and addresses resolution of SCA Open Items and NRC Key Technical Uncertainties**

Objectives

- **Produce framework for annual planning**
- **Identify critical path to license application**
- **Prioritize funding allocations**
- **Facilitate project integration**
- **Validate license application submittal date**

Methodology

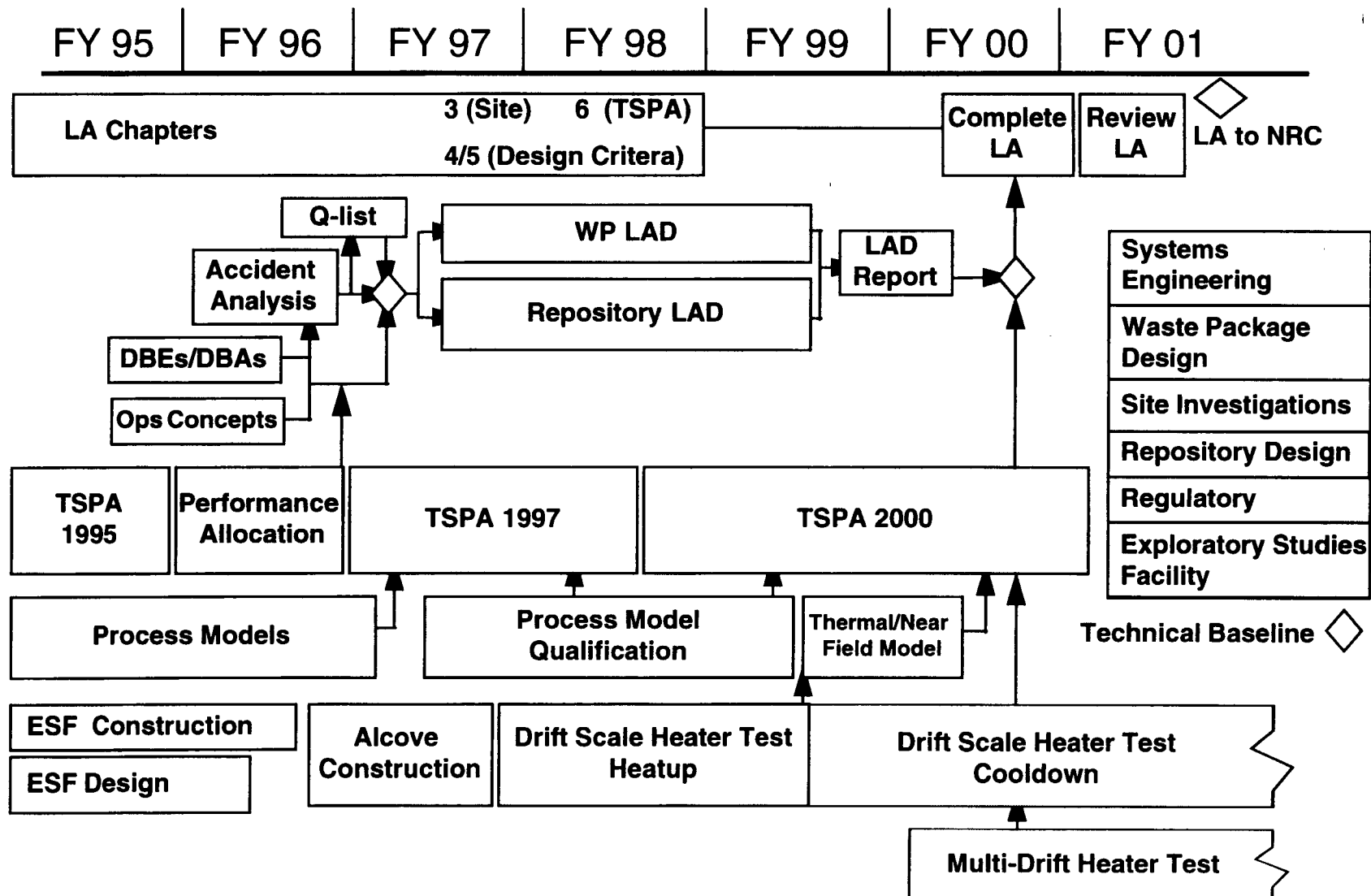
- **Step 1 - Logic Network**
- **Step 2 - Work Scope**
- **Step 3 - Programmatic Risk**

Step 1 - Logic Network

- **Identify work activities needed to complete license application**
- **Specify logical relationships among work activities**
- **Assign responsibility for each activity**
- **Define duration for each activity**

Step 1 - Logic Network

(Continued)



Step 2 - Work Scope

- **Define work scope in context of licensing strategy which includes**
 - » **Preclosure radiological safety**
 - » **Waste containment and isolation**
- **Address question: How much is enough?**
- **Define criteria for deliverables associated with each activity using License Application Annotated Outline Information Needs**
- **Link appropriate activities to NRC Key Technical Uncertainties and Site Characterization Analysis Open Items**

Step 3 - Programmatic Risk

- **Evaluate programmatic risk in terms of scopes, schedules, and cost**
 - ***Technical Risk*** is associated with the approach taken to perform the work.
 - ***Schedule Risk*** is associated with meeting deadlines in the plan. The risk can be driven by external influences, customer expectations, uncertainty in the work, and/or complexity of the schedule
 - ***Cost Risk*** is schedule risk expressed in terms of resource estimates

Status

- **Developed preliminary logic network (Step 1)**
- **Developing work scope statements (Step 2)**
- **Issue to DOE with Fiscal Year 1996 Annual Project Implementation Plan on August 31, 1995**

Conclusion

- **Integrated Licensing Plan focuses project activities on completion of license application**
- **Provides management tool for prioritizing work activities**
- **Facilitates integration throughout the project**
- **Validates license application submittal date**